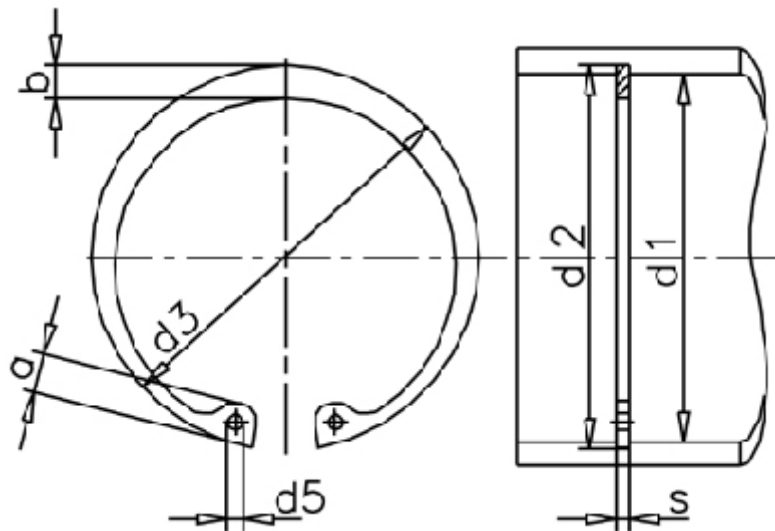


Article number: 01020421

Description: Retaining ring J25 DIN472
Stainless 411

Measures



a max	= 4.5	FN kN	= 8.00	t	= 0.60
AN mm ²	= 48.2	FRg kN	= 4.7	tol	= +0,21
b	= 2.7	FR kN	= 14.6	tol	= +0,42--0,21
d1	= 25	g	= 1.0	tol	= -0.06
d2	= 26.2	K kN-mm	= 29.0	Tong	= ZGJ-2
d3	= 26.90	m min	= 1.30	Weight kg/1000	= 1.50
d5 min	= 2.0	Nominal drive	= 1.8		
Description = J 25		s	= 1.20		